

Air Solenoid & Air Pilot Valves



Fine Quality



Precision Engineered

Advanced Design

Excellent Prices

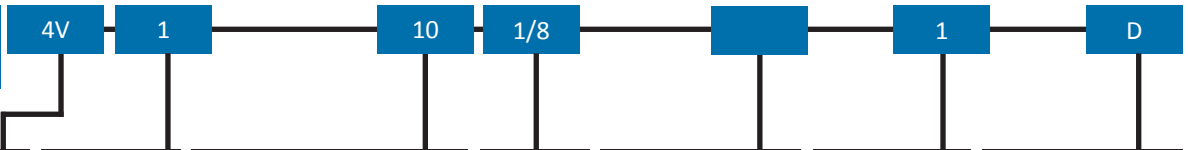


Contents

Solenoid Valve Numbering System.....	F2
Manifold Numbering System.....	F2
Air Solenoid Valve & Coils List Price.....	F3
Air Pilot Valve & Manifold List Price.....	F4
Specifications.....	F5
Air Solenoid Valve & Air Pilot Valve Dimensions.....	F6 - F8
Manifold Dimensions.....	F8

STC Solenoid Valve Numbering System

Ordering Part No. =
(e.g., 4V110-1/8-1-D)



Model—Spool Valves	Valve Size	Solenoid/Position		Port Size (NPT)	Mounting		Voltage		Electrical Terminal		
					Standard	(leave blank)					
3 Way Air Pilot Valve	3A	0.67 Cv	1	1 Solenoid 2 Position	10			12 VDC	1	DIN	D
3 Way Solenoid Valve	3V	0.89 Cv	2	2 Solenoid 2 Position	20			24 VDC	2	Grommet	G
4 Way Air Pilot Valve	4A	1.68 Cv	3	2 Solenoid 3 Position (Closed Center)	30C			24 VAC	2A	Explosion Proof	E
4 Way Solenoid Valve	4V	2.78 Cv	4	2 Solenoid 3 Position (Exhausted Center)	30E			110 VAC	3	UL Listed Coil	U
				2 Solenoid 3 Position (Pressure Center)	30P			220 VAC (50/60Hz)	4		

STC Manifold Numbering System

Ordering Part No. =
(e.g., 4V-200M-6)



Model—Manifold		Options	
Manifold for 3V100 Series Valves	3V-100M	No. of Stations (Includes Gasket and Mounting Hardware)	2
Manifold for 3V200 Series Valves	3V-200M		4
Manifold for 3V300 Series Valves	3V-300M		6
Manifold for 3V400 Series Valves	3V-400M		8
Manifold for 4V100 Series Valves	4V-100M		16
Manifold for 4V200 Series Valves	4V-200M	Blank Plate (with 2 Short Screws)	B
Manifold for 4V300 Series Valves	4V-300M	Gasket	G
Manifold for 4V400 Series Valves	4V-400M	KIT includes Blanking Plate, Gasket, & Mounting Hardware	KIT

Air Solenoid Valve & Coils List Price



	Part No.	Price	Port Size (NPT)	Voltage Options	Electrical Terminal Options	# Way / Port / Position / Solenoid	Cv	Power		
	2V1-1/8	\$21.67	1/8		D = DIN (with LED indicator & conduit terminal) G = Grommet (12" Lead Wire) E = Explosion Proof	2/2/2/1	0.23	3W to 6.5W		
	3V1-1/8	\$21.67	1/8			3/2/2/1 Direct Acting	0.05			
	3V110-1/8	\$27.94	1/8			3/3/2/1	0.67	3W to 4.8W		
	3V210-1/4	\$27.94	1/4				0.89			
	3V310-1/4	\$37.64	1/4				1.68			
	3V310-3/8	\$37.64	3/8				1.68			
	3V410-1/2	\$65.59	1/2				2.79			
	3V120-1/8	\$42.78	1/8			3/3/2/2	0.67	3W to 4.8W		
	3V220-1/4	\$42.78	1/4				0.89			
	3V320-3/8	\$52.47	3/8				1.68			
	3V420-1/2	\$91.82	1/2				2.79			
	4V110-10-32	\$29.09	10-32			4/5/2/1	0.67	3W to 4.8W		
	4V110-1/8	\$29.09	1/8				0.67			
	4V210-1/4	\$27.94	1/4, 1/8 (Exh)				0.89			
	4V310-1/4	\$37.64	1/4				1.68			
	4V310-3/8	\$37.64	3/8, 1/4 (Exh)				1.68			
	4V410-1/2	\$65.59	1/2				2.79			
	3V310-1/4B	\$43.35	1/4				1.68		3W to 4.8W	
	3V310-3/8B	\$43.35	3/8				1.68			
	4V210-1/4B	\$33.62	1/4	1 = 12VDC 2 = 24VDC	D = DIN (with LED indicator & conduit terminal) G = Grommet (12" Lead Wire) E = Explosion Proof	4/5/2/1	1.68	3W to 4.8W		
	4V310-1/4B	\$43.35	1/4				1.68			
	4V310-3/8B	\$43.35	3/8, 1/4 (Exh)				1.68			
	4V320-1/4B	\$64	1/4				1.68			
	4V120-1/8	\$42.78	1/8	2A = 24VAC 3 = 110VAC		4/5/2/2	0.67	3W to 4.8W		
	4V220-1/4	\$42.78	1/4, 1/8(Exh)				0.89			
	4V320-1/4	\$52.47	1/4				1.68			
	4V320-3/8	\$52.47	3/8, 1/4 (Exh)				1.68			
	4V420-1/2	\$91.82	1/2	4 = 220VAC (50/60Hz)		4/5/3/2 Closed Center	0.5	3W to 4.8W		
	4V230C-1/4	\$88.43	1/4, 1/8 (Exh)				0.67			
	4V330C-3/8	\$102.09	3/8, 1/4 (Exh)				1			
	4V430C-1/2	\$131.17	1/2				1.68			
	4V130E-1/8	\$85.59	1/8		D = DIN (with LED indicator & conduit terminal) G = Grommet (12" Lead Wire)	4/5/3/2 Exhaust Center	0.5	3W to 4.8W		
	4V230E-1/4	\$88.43	1/4, 1/8 (Exh)				0.67			
	4V330E-3/8	\$102.09	3/8, 1/4 (Exh)				1			
	4V430E-1/2	\$131.17	1/2				1.68			
	4V130P-1/8	\$85.59	1/8				4/5/3/2 Pressure Center		0.5	3W to 4.8W
	4V230P-1/4	\$88.43	1/4, 1/8 (Exh)						0.67	
	4V330P-3/8	\$102.09	3/8, 1/4 (Exh)						1	
	4V430P-1/2	\$131.17	1/2						1.68	
	2P025-1/8	\$21.23	1/8		D = DIN (with LED indicator & conduit terminal) G = Grommet (12" Lead Wire) E = Explosion Proof	2/2/2/1 Direct Acting	0.23	3W to 6.5W		
	2P025-1/4	\$21.23	1/4							
	2V025-1/8	\$21.67	1/8			2/2/2/1 Direct Acting	0.23	3W to 6.5W		
	2V025-1/4	\$21.67	1/4				0.23			
	2V035-1/8	\$21.67	1/8				0.5			
	2V035-1/4	\$21.67	1/4				0.5			

	Part No.	Price	Voltage Options	Electrical Connection Options	Power	Specifications	How to connect coils
	100C	\$9.13	1 = 12VDC 2 = 24VDC 2A = 24VAC 3 = 110VAC 4 = 220VAC (50/60Hz)	D = DIN (with LED indicator, conduit terminal)	2.5W	Insulation: F Class IP65 Duty Cycle: 100% ED CE Certification	<p>To Connect DIN Coil:</p> <ol style="list-style-type: none"> Remove the Philip screw from the plastic housing and unplug it from the DIN coil. From the screw opening, use the screw to push the terminal block out of the plastic housing. Note the 1, 2, and ground markings on underside of DIN enclosure. For DC DIN Coil, connect 1 to Positive, 2 to Negative. For AC DIN Coil, connect 1 to HOT wire, 2 to Neutral wire, and if required, connect ground to ground wire
	200C	\$9.13					
	100C	\$9.13	1 = 12VDC 2 = 24VDC 2A = 24VAC 3 = 110VAC 4 = 220VAC (50/60Hz)	G = Grommet (12" Lead Wire)	2.5W	Insulation: F Class IP65 Duty Cycle: 100% ED CE Certification	
	200C	\$9.13					
	200C	\$98.85	1E = 12VDC 2E = 24VDC 2AE = 24VAC 3E = 110VAC 4E = 220VAC (50/60Hz)	Explosion Proof Coil Option: All voltages with 1/2" NPT conduit connection FM Approved. CL. I; ZONE 1, CL. I; DIV.1; GR. A, B, C, D CL. II; GR. E, F, G- CL. III T4 Ta = -20°C...60°C		Insulation: F Class IP65 Duty Cycle: 100% ED FM Certification	



Air Pilot Valve & Manifold List Prices Specifications

Air Pilot Valve List Price

	Part No.	Price	Port Size (NPT)	# Ways/Port/Position/Pilot	Cv		Part No.	Price	Port Size (NPT)	# Ways/Port/Position/Pilot	Cv
	3A110-1/8	\$21.67	1/8	3/3/2/1	0.67		4A130C-1/8	\$56.46	1/8	4/5/3/2 Closed Center	0.5
	3A210-1/4	\$21.67	1/4, 1/8 (Exh)		0.89		4A230C-1/4	\$71.67	1/4, 1/8 (Exh)		0.67
	3A310-3/8	\$26.24	3/8, 1/4 (Exh)		1.68		4A330C-3/8	\$82.70	3/8, 1/4 (Exh)		1
3A410-1/2	\$43.35	1/2	2.79	4A430C-1/2	\$98.34		1/2	1.68			
	3A120-1/8	\$27.38	1/8	3/3/2/2	0.67		4A130P-1/8	\$56.46	1/8	4/5/3/2 Pressure Center	0.5
	3A220-1/4	\$27.94	1/4, 1/8 (Exh)		0.89		4A230P-1/4	\$71.67	1/4, 1/8 (Exh)		0.67
	3A320-3/8	\$33.08	3/8, 1/4 (Exh)		1.68		4A330P-3/8	\$82.70	3/8, 1/4 (Exh)		1
3A420-1/2	\$56.46	1/2	2.79	4A430P-1/2	\$98.34		1/2	1.68			
	4A110-1/8	\$21.67	1/8	4/5/2/1	0.67		4A130E-1/8	\$56.46	1/8	4/5/3/2 Exhaust Center	0.5
	4A210-1/4	\$21.67	1/4, 1/8 (Exh)		0.89		4A230E-1/4	\$71.67	1/4, 1/8 (Exh)		0.67
	4A310-3/8	\$26.24	3/8, 1/4 (Exh)		1.68		4A330E-3/8	\$82.70	3/8, 1/4 (Exh)		1
4A410-1/2	\$43.35	1/2	2.79	4A430E-1/2	\$98.34		1/2	1.68			
	4A120-1/8	\$27.38	1/8	4/5/2/2	0.67						
	4A220-1/4	\$27.94	1/4, 1/8 (Exh)		0.89						
	4A320-3/8	\$33.08	3/8, 1/4 (Exh)		1.68						
4A420-1/2	\$56.46	1/2	2.79								
	3A310B-1/4	\$32.82	1/4	3/3/2/1	1.68						
	3A320B-1/4	\$39.67	1/4	3/3/2/2	1.68						
	4A310B-1/4	\$35.02	1/4	4/5/2/1	1.68						
	4A320B-1/4	\$41.86	1/4	4/5/2/2	1.68						

Integrated Aluminum Base Mounted Manifolds*

To order, please specify the part number and the number of stations (order valve separately).

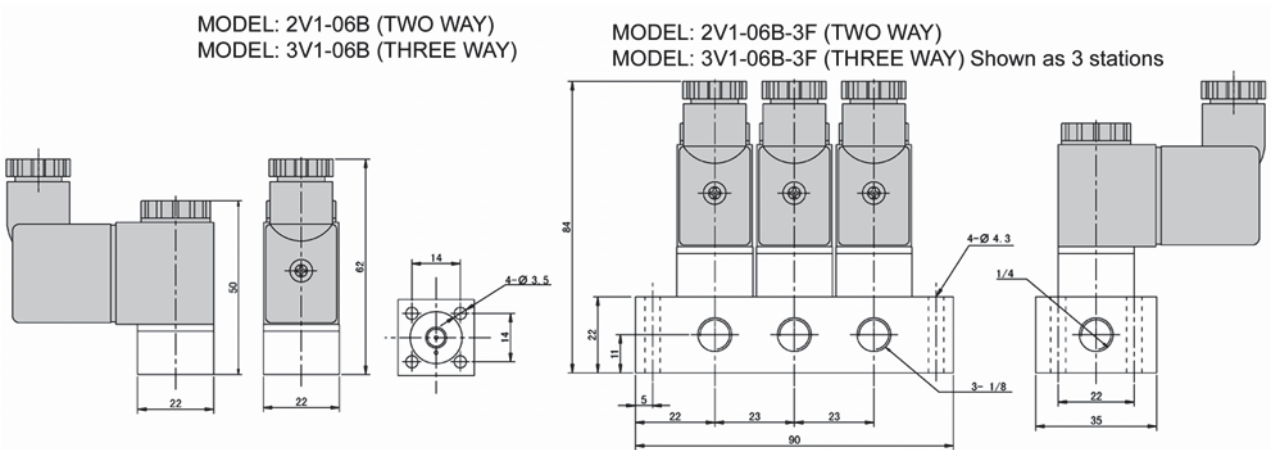
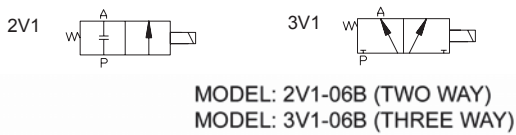
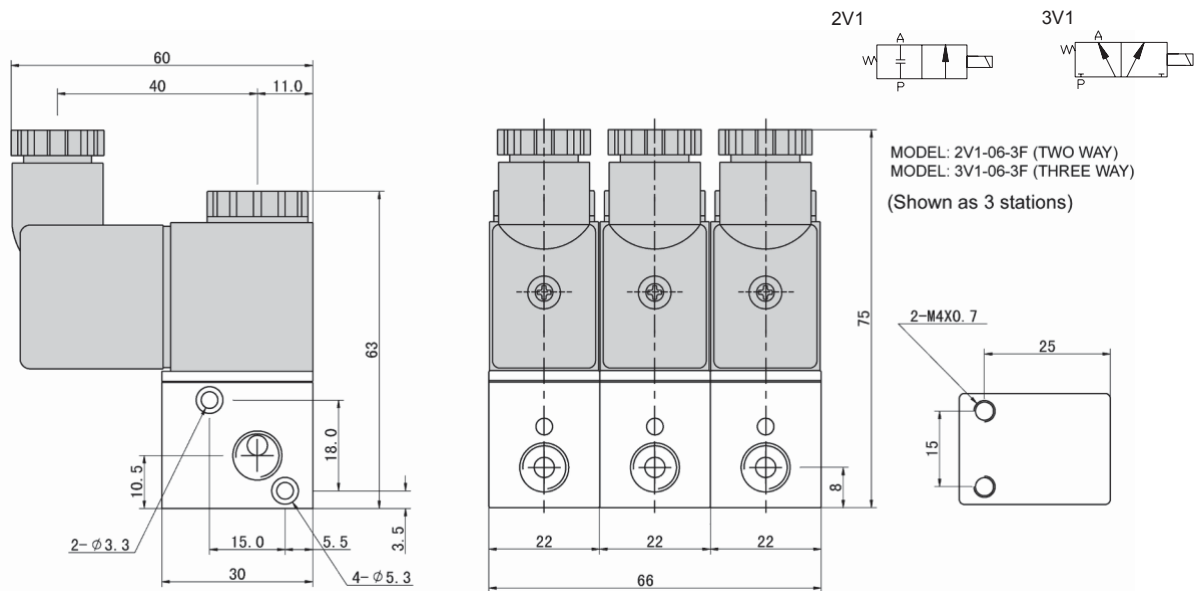
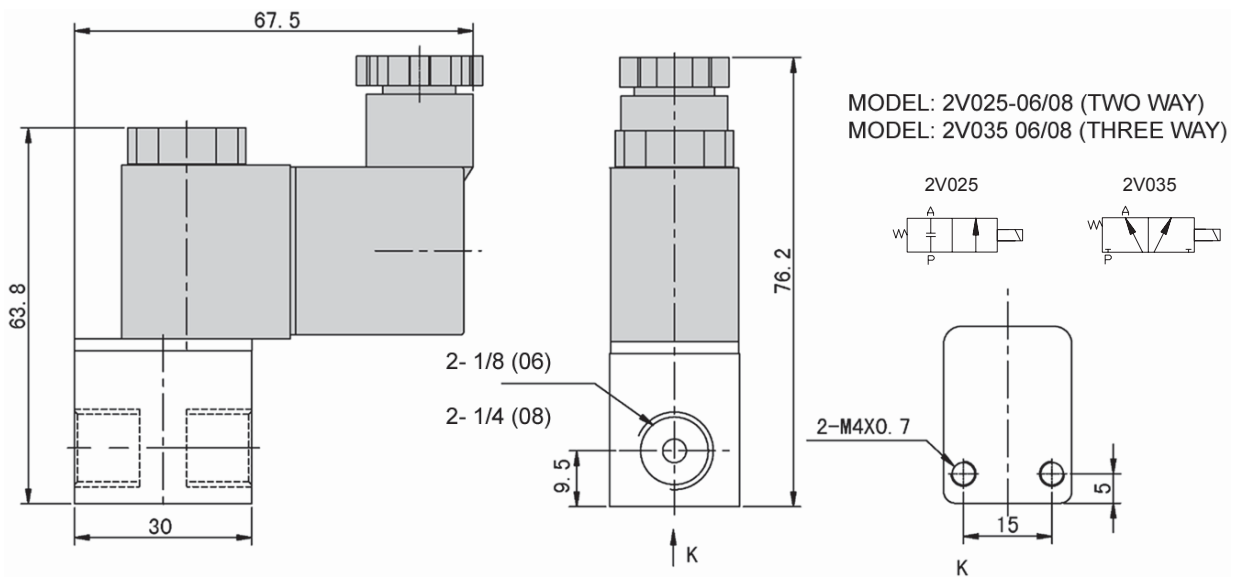
	Part No.	No. of Stations	Price	Description		Part No.	No. of Stations	Price	Description
	3V-100M-2	2	\$12.68	Integrated Base for Mounting 3V100 or 3A100 series Solenoid Valves		4V-100M-2	2	\$12.68	Integrated Base for Mounting 4V100 or 4A100 series Solenoid Valves
	3V-100M-4	4	\$25.35			4V-100M-4	4	\$25.35	
	3V-100M-6	6	\$38.02			4V-100M-6	6	\$38.02	
	3V-100M-8	8	\$50.69			4V-100M-8	8	\$50.69	
	3V-100M-16	16	\$101.39			4V-100M-16	16	\$101.39	
	3V-100M-B	blank plate	\$5.57			4V-100M-B	blank plate	\$5.57	
	3V-100M-G	gasket	\$2.47	4V-100M-G		gasket	\$2.47		
	3V-200M-2	2	\$12.68	Integrated Base for Mounting 3V200 or 3A200 series Solenoid Valves		4V-200M-2	2	\$12.68	Integrated Base for Mounting 4V200 or 4A200 series Solenoid Valves
	3V-200M-4	4	\$25.35			4V-200M-4	4	\$25.35	
	3V-200M-6	6	\$38.02			4V-200M-6	6	\$38.02	
	3V-200M-8	8	\$50.69			4V-200M-8	8	\$50.69	
	3V-200M-16	16	\$101.39			4V-200M-16	16	\$101.39	
	3V-200M-B	blank plate	\$5.57			4V-200M-B	blank plate	\$5.57	
	3V-200M-G	gasket	\$2.69	4V-200M-G		gasket	\$2.69		
	3V-300M-2	2	\$19.02	Integrated Base for Mounting 3V300 or 3A300 series Solenoid Valves		4V-300M-2	2	\$19.02	Integrated Base for Mounting 4V300 or 4A300 series Solenoid Valves
	3V-300M-4	4	\$38.02			4V-300M-4	4	\$38.02	
3V-300M-6	6	\$57.04	4V-300M-6		6	\$57.04			
3V-300M-8	8	\$76.04	4V-300M-8		8	\$76.04			
3V-300M-16	16	\$152.08	4V-300M-16		16	\$152.08			
3V-300M-B	blank plate	\$5.57	4V-300M-B		blank plate	\$5.57			
3V-300M-G	gasket	\$2.91	4V-300M-G	gasket	\$2.91				
3V-400M-2	2	\$31.68	Integrated Base for Mounting 3V400 or 3A400 series Solenoid Valves	4V-400M-2	2	\$31.68	Integrated Base for Mounting 4V400 or 4A400 series Solenoid Valves		
3V-400M-4	4	\$63.37		4V-400M-4	4	\$63.37			
3V-400M-6	6	\$95.05		4V-400M-6	6	\$95.05			
3V-400M-8	8	\$126.74		4V-400M-8	8	\$126.74			
3V-400M-16	16	\$253.46		4V-400M-16	16	\$253.46			
3V-400M-B	blank plate	\$5.57		4V-400M-B	blank plate	\$5.57			
3V-400M-G	gasket	\$3.12	4V-400M-G	gasket	\$3.12				

* Includes mounting hardware and seals

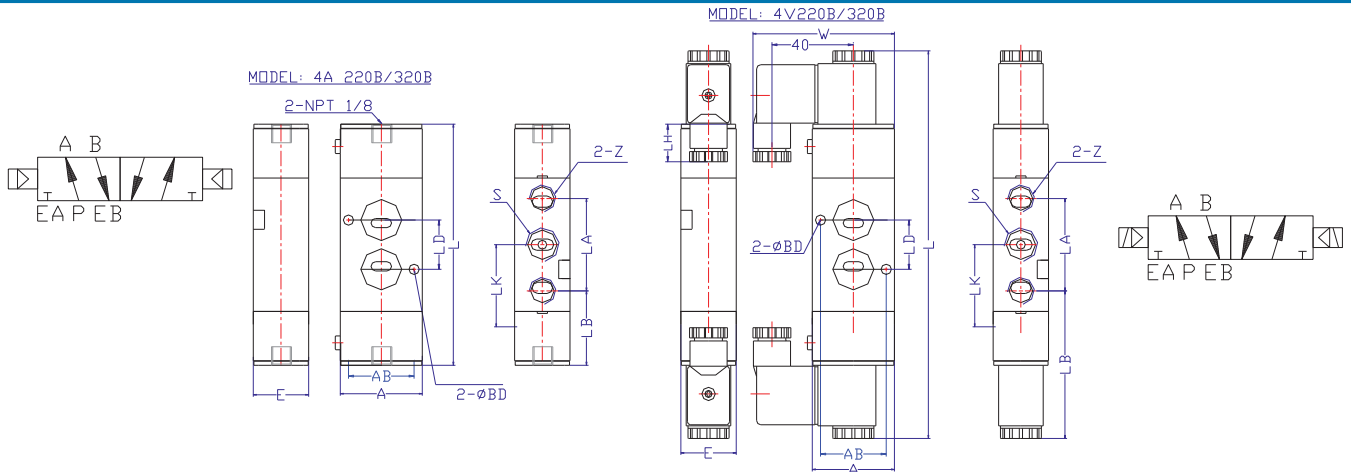
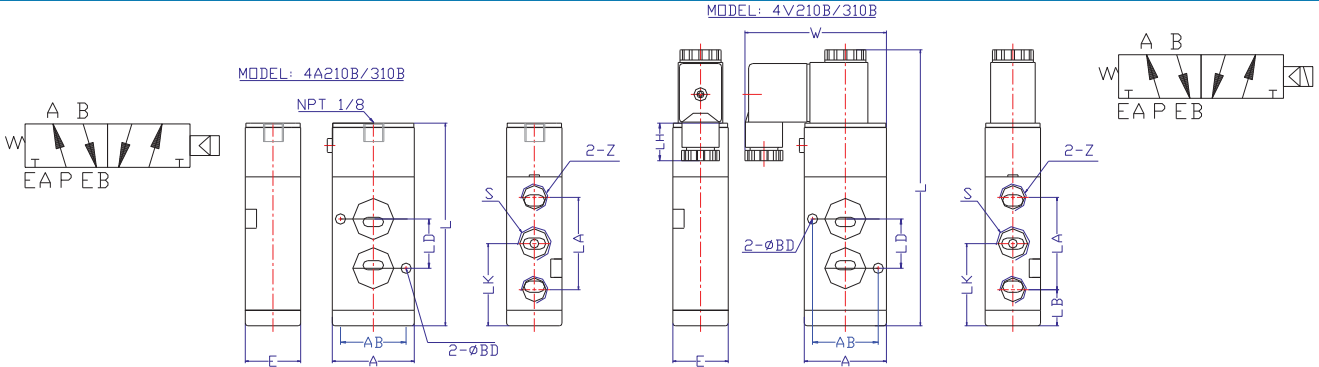
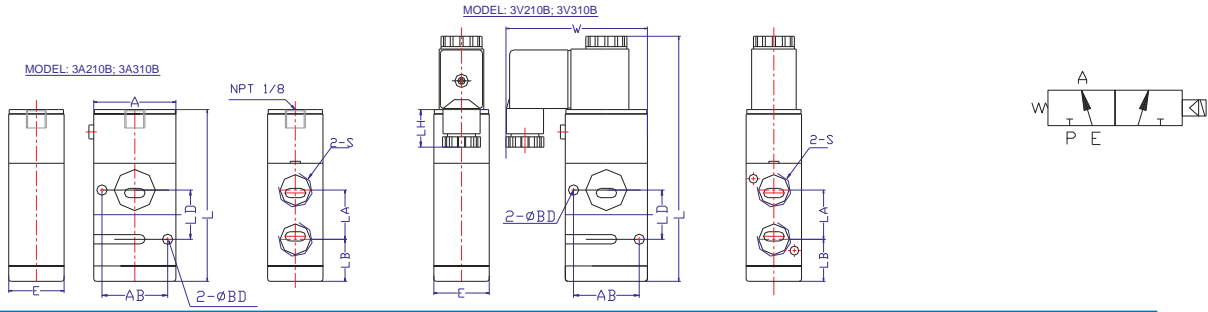
Specifications

Valve Type	3V & 4V 100-400 Series Valves	3A & 4A 100-400 Series Valves	2V025-035 2P025 Series Valves	2V1, 3V1 Series Valves
Port & Mounting	Body Ported, Manifold Mounted	Body Ported, Manifold Mounted	Body Ported, Stacking or Manifold Mounted	Body Ported, Stacking or Manifold Mounted
Action & Motion	Internal Pilot, Spool Design	Air Pilot, Spool Design	Direct Acting	Direct Acting
Operating Pressure	21 to 115 PSI	0 to 115 PSI	Vacuum to 115 PSI	Vacuum to 115 PSI
Coil Insulation & Protection Class	F Class, IP65 (CE Certification)	N/A	F Class, IP65 (CE Certification)	F Class, IP65 (CE Certification)
Coil Duty Cycle	100% ED	100% ED	100% ED	100% ED
Manual Override	Non-Locking: 100 series, Locking: 200 to 400 series	N/A	N/A	Non-Locking
Electrical Connection	D = DIN (with LED indicator, conduit terminal), G = Grommet (12" - 18" Lead Wire)			N/A
Working Medium	40 micron filtered air or inert gas		40 micron filtered air	40 micron filtered air
Maximum Pressure	180 PSI @ 75 Deg. F			
Operating Temperature	14 to 140 Deg. F (-10 to 60 Deg. C)			
Body Material	Aluminum (Engineered Plastic for 2P Series)			
Seal Material	NBR (Buna N)			
Lubrication	Not Required			
Service	Air			

Air Solenoid Valve Dimensions

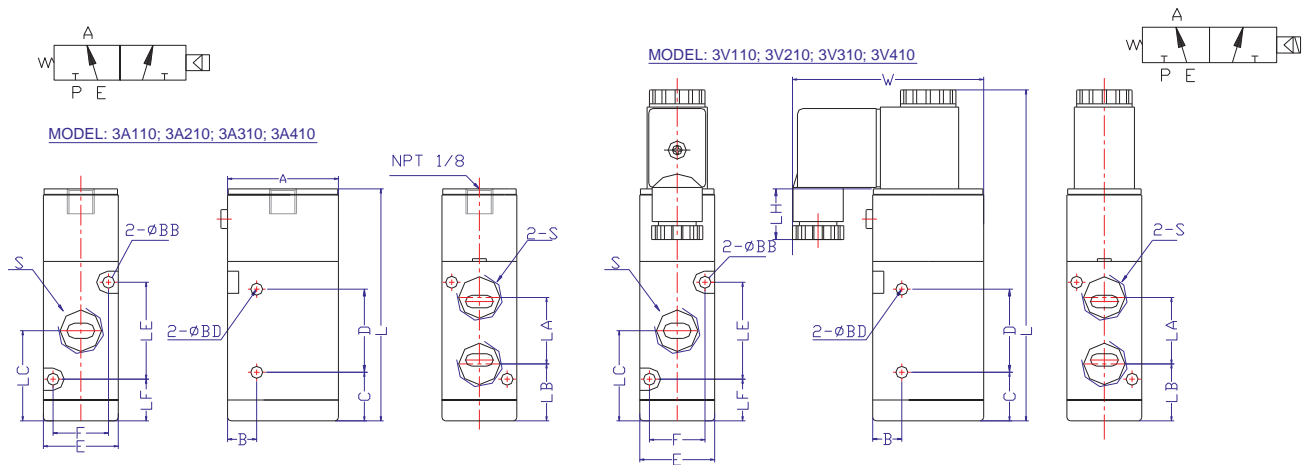


Air Solenoid & Air Pilot Valve Dimensions

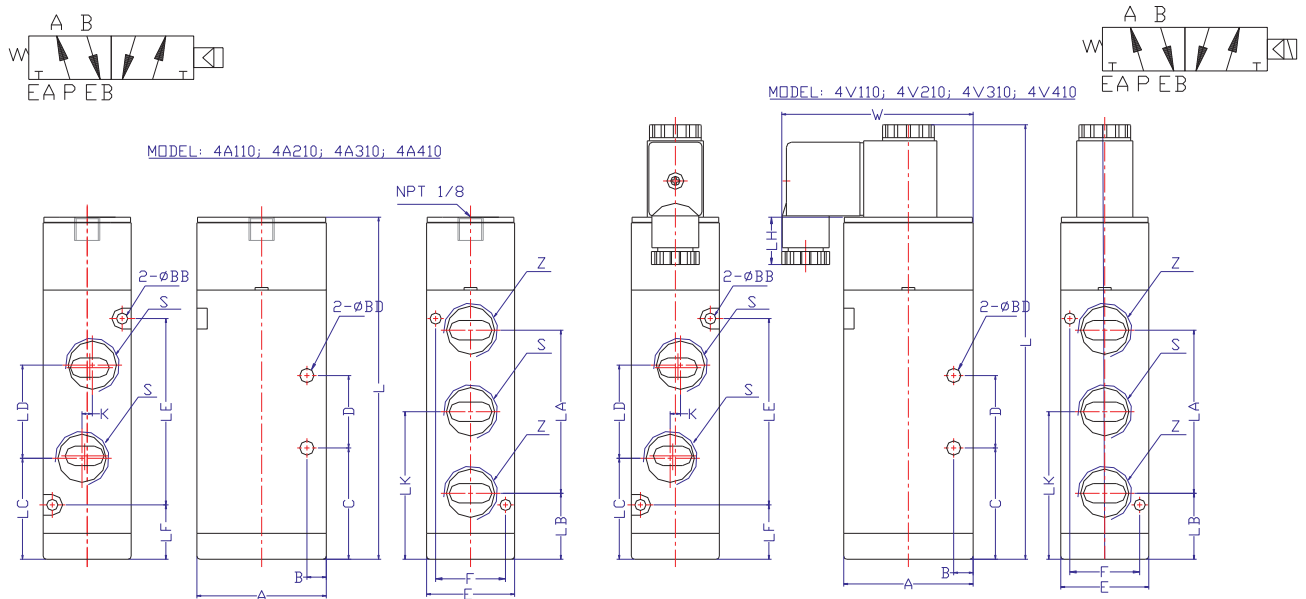


Model	A	E	L	S	W	Z	AB	BD	LA	LB	LD	LH	LK
3A210-1/4B	35	22	77.7	1/4	66.5		29	4.3	18	21			
3A310-1/4B	40	27	80.5	3/8	69		32	5.5	24	20.5			
3A310-3/8B	40	27	80.5	3/8	69		32	5.5	24	20.5			
3V210-1/4B	35	22	111.5	1/4	66.5		29	4.3	18	21		18	
3V310-1/4B	40	27	119.4	1/4	69		32	5.5	24	20.5		18	
3V310-3/8B	40	27	119.4	3/8	69		32	5.5	24	20.5		18	
4A210-1/4B	35	22	77.7	1/4	66.5	1/8	29	4.3	36	13.5	23		31.7
4A310-1/4B	40	27	95.5	1/4	69	1/4	32	5.5	45	17.5	24		40
4A310-3/8B	40	27	95.5	3/8	69	1/4	32	5.5	45	17.5	24		40
4V210-1/4B	35	22	116.5	1/4	66.5	1/8	29	4.3	36	13.5	23	18	32.5
4V310-1/4B	40	27	134.5	1/4	69	1/4	32	5.5	45	17.5	24	18	40
4V310-3/8B	40	27	134.5	3/8	69	1/4	32	5.5	45	17.5	24	18	40
4A220-1/4B	35	22	92	1/4	66.5	1/8	29	4.3	36	28	23		46
4A320-1/4B	40	27	111	1/4	69	1/4	32	5.5	45	33	24		55.5
4A320-3/8B	40	27	111	3/8	69	1/4	32	5.5	45	33	24		55.5
4V220-1/4B	35	22	169.8	1/4	66.5	1/8	29	4.3	36	66.9	23	18	84.9
4V320-1/4B	40	27	188.8	1/4	69	1/4	32	5.5	45	71.9	24	18	94.4
4V320-3/8B	40	27	188.8	3/8	69	1/4	32	5.5	45	71.9	24	18	94.4

Air Solenoid & Air Pilot Valve Dimensions



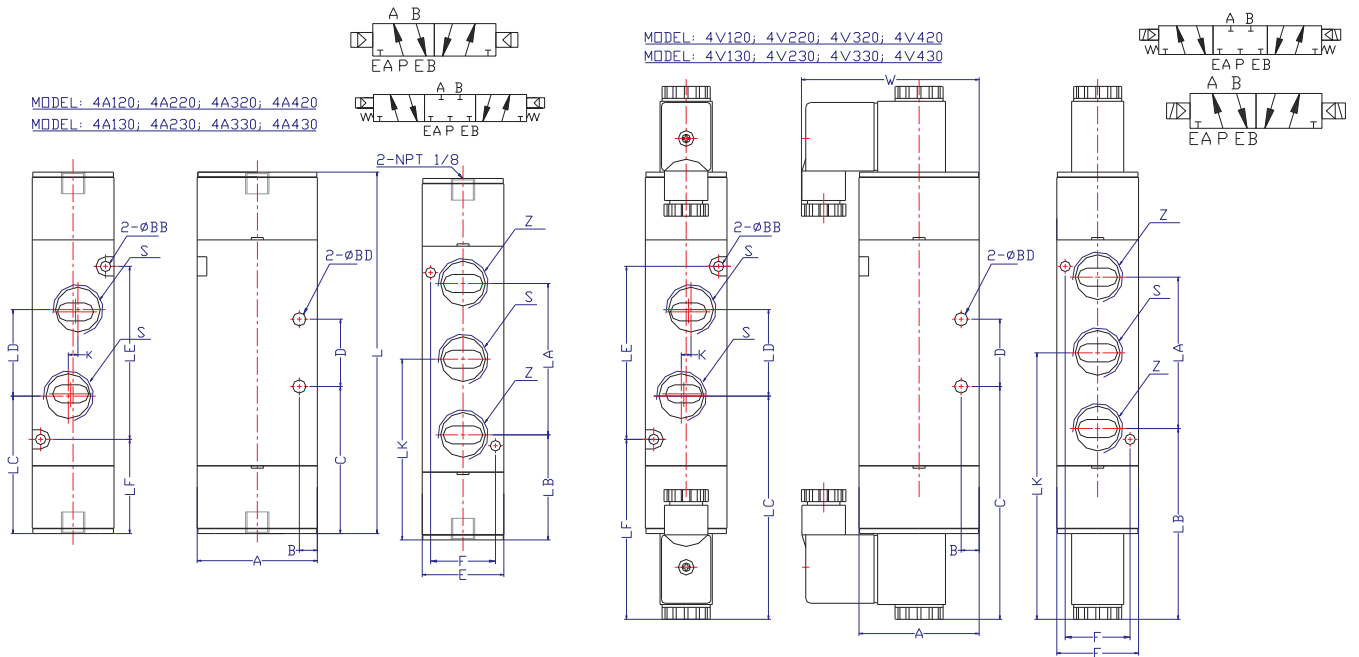
Model No.	A	B	D	E	F	L	S	W	BB	BD	LA	LB	LC	LE	LF	LH
3A110-1/8	27	7.7	21	18.0	13	56.5	1/8	53.5	3.3	3.3	16	14.0	23	19	12.5	
3A210-1/4	35	8.0	25	22.0	17	77.7	1/4	66.5	3.3	4.3	18	21.0	31	33	12.5	
3A310-3/8	40	10.5	30	27.0	20	80.5	3/8	69	4.3	4.3	24	20.5	32.5	35	15	
3A410-1/2	50	13.5	51	34.0	27	96.5	1/2	73.9	4.3	5.5	36	25.5	41.5	44	15.5	
3V110-1/8	27	7.7	21	18.0	13	85.8	1/8	53.5	3.3	3.3	16	14.0	23	19	12.5	10
3V210-1/4	35	8.0	25	22.0	17	111.5	1/4	66.5	3.3	4.3	18	21.0	31	33	12.5	18
3V310-3/8	40	10.5	30	27.0	20	119.4	3/8	69	4.3	4.3	24	20.5	32.5	35	15	18
3V410-1/2	50	13.5	51	34.0	27	137.0	1/2	73.5	4.3	5.5	36	25.5	41.5	44	15.5	18



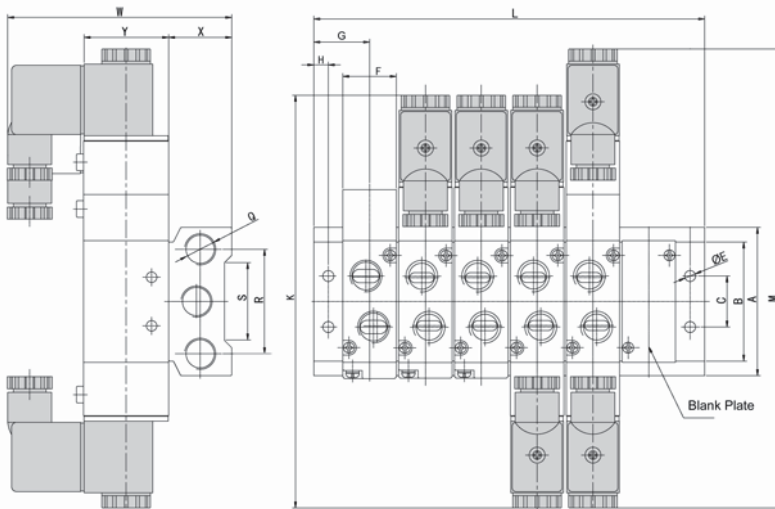
Model No.	A	B	C	D	E	F	K	L	S	W	Z	BB	BD	LA	LB	LC	LD	LE	LF	LH	LK
4A110-1/8	27	4.0	21.0	14	18	13	3	68.7	1/8	53.5	1/8	3.3	3.3	28	14.2	20.2	16	30	13.0		28.2
4A210-1/4	35	7.0	21.5	20	22	17	3	77.7	1/4	66.5	1/8	3.3	4.3	36	13.5	21.0	21	38	12.5		31.7
4A310-3/8	40	6.5	28.0	24	27	20	4	95.5	3/8	69	1/4	4.3	4.3	45	17.5	28.0	24	50	15.0		40.0
4A410-1/2	50	7.5	43.0	28	34	27	4	128	1/2	73.5	1/2	4.3	5.5	63	25.5	39.0	36	72	21.0		57.0
4V110-1/8	27	4.0	21.0	14	18	13	3	98	1/8	53.5	1/8	3.3	3.3	28	14.0	20.0	16	30	13.0	10	28.0
4V210-1/4	35	7.0	21.5	20	22	17	3	116.5	1/4	66.5	1/8	3.3	4.3	36	13.5	21.0	21	38	12.5	18	32.5
4V310-3/8	40	6.5	28.0	24	27	20	4	134.5	3/8	69	1/4	4.3	4.3	45	17.5	28.0	24	50	15.0	18	40.0
4V410-1/2	50	7.5	43.0	28	34	27	4	167.9	1/2	73.5	1/2	4.3	5.5	63	25.5	39.0	36	72	21.0	18	57.0



Air Solenoid & Air Pilot Valve Dimensions Manifold Dimensions



Model No.	A	B	C	D	E	F	K	L	S	W	Z	BB	BD	LA	LB	LC	LD	LE	LF	LH	LK
4A120-1/8	27	4.0	33.5	14	18	13	3	81	1/8	53.5	1/8	3.3	3.3	28	26.5	32.5	16	30	25.5		40.5
4A220-1/4	35	7.0	36.0	20	22	17	3	92	1/4	66.5	1/8	3.3	4.3	36	28.0	37.0	21	38	27.0		46.0
4A320-3/8	40	6.5	43.5	24	27	20	4	111	3/8	69	1/4	4.3	4.3	45	33.0	43.5	24	50	30.5		55.5
4A420-1/2	50	7.5	51.0	28	34	27	4	128	1/2	73.5	1/2	4.3	5.5	63	39.5	71.0	36	72	35.0		71.0
4V120-1/8	27	4.0	62.8	14	18	13	3	139.5	1/8	53.5	1/8	3.3	3.3	28	56.0	52.0	16	30	54.8	10	69.8
4V220-1/4	35	7.0	74.9	20	22	17	3	169.8	1/4	66.5	1/8	3.3	4.3	36	66.9	74.4	21	38	65.9	18	84.9
4V320-3/8	40	6.5	82.4	24	27	20	4	188.8	3/8	69	1/4	4.3	4.3	45	71.9	82.4	24	50	69.4	18	94.4
4V420-1/2	50	7.5	96.9	28	34	27	4	217.5	1/2	73.5	1/2	4.3	5.5	63	79.4	92.9	36	72	74.9	18	110.9
4A130-1/8	27	4.0	33.5	14	18	13	3	96	1/8	53.5	1/8	3.3	3.3	28	26.5	32.5	16	30	25.5		40.5
4A230-1/4	35	7.0	36.0	20	22	17	3	110	1/4	66.5	1/8	3.3	4.3	36	28.0	37.0	21	38	27.0		46.0
4A330-3/8	40	6.5	43.5	24	27	20	4	130	3/8	69	1/4	4.3	4.3	45	33.0	43.5	24	50	30.5		55.5
4A430-1/2	50	7.5	51.0	28	34	27	4	165	1/2	73.5	1/2	4.3	5.5	63	39.5	71.0	36	72	35.0		71.0
4V130-1/8	27	4.0	62.8	14	18	13	3	154.6	1/8	53.5	1/8	3.3	3.3	28	56.0	52.0	16	30	54.8	10	69.8
4V230-1/4	35	7.0	74.9	20	22	17	3	188.8	1/4	66.5	1/8	3.3	4.3	36	66.9	74.4	21	38	65.9	18	84.9
4V330-3/8	40	6.5	82.4	24	27	20	4	207.8	3/8	69	1/4	4.3	4.3	45	71.9	82.4	24	50	69.4	18	94.4
4V430-1/2	50	7.5	96.9	28	34	27	4	242.8	1/2	73.5	1/2	4.3	5.5	63	79.4	92.9	36	72	74.9	18	110.9



4V100-400M Manifold Dimensions

Model No.	A	B	C	E	F	G	H	K	L
100M	58	44	20	4.2	18.3	19	5	140	(N-1)*19+38
200M	61	51	21	4.3	22.4	23	6	170	(N-1)*23+46
300M	75	65	26	4.5	27.3	27	6	189	(N-1)*28+54
400M	104	95	32	5.5	34.3	31.5	7	222	(N-1)*35+63

Model No.	M	Q	R	S	T	W	X	Y
100M	155	1/4	40	30	M3x.5	78.5	25	27
200M	189	1/4	43	32	M3x.5	92.5	26	35
300M	208	3/8	53	48	M4x.7	99	30	40
400M	243	1/2	68	67	M4x.7	112	38	50